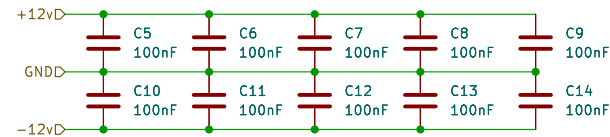
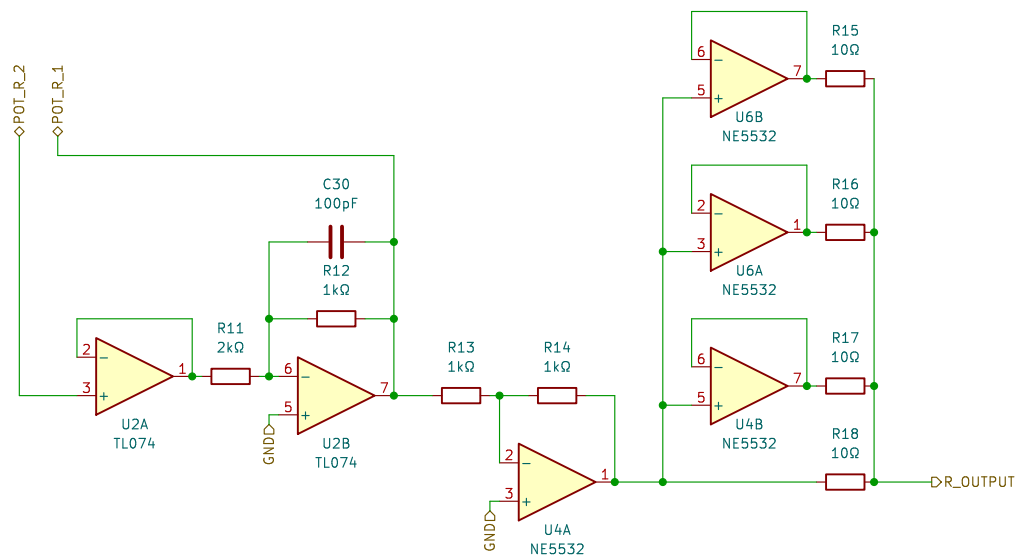
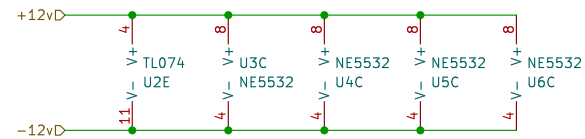
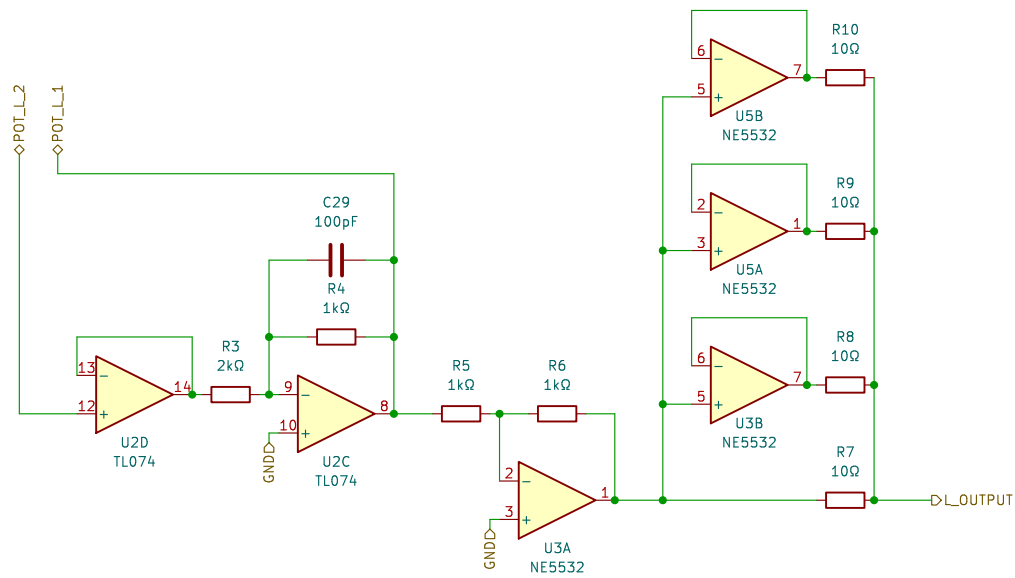


<b>Free Modular</b>	
Sheet: /	
File: output_pcb.kicad_sch	
<b>Title: Output</b>	
Size: A4	Date: 2024-03-18
KiCad E.D.A. 8.0.2	Rev: v1.1
	Id: 1/5



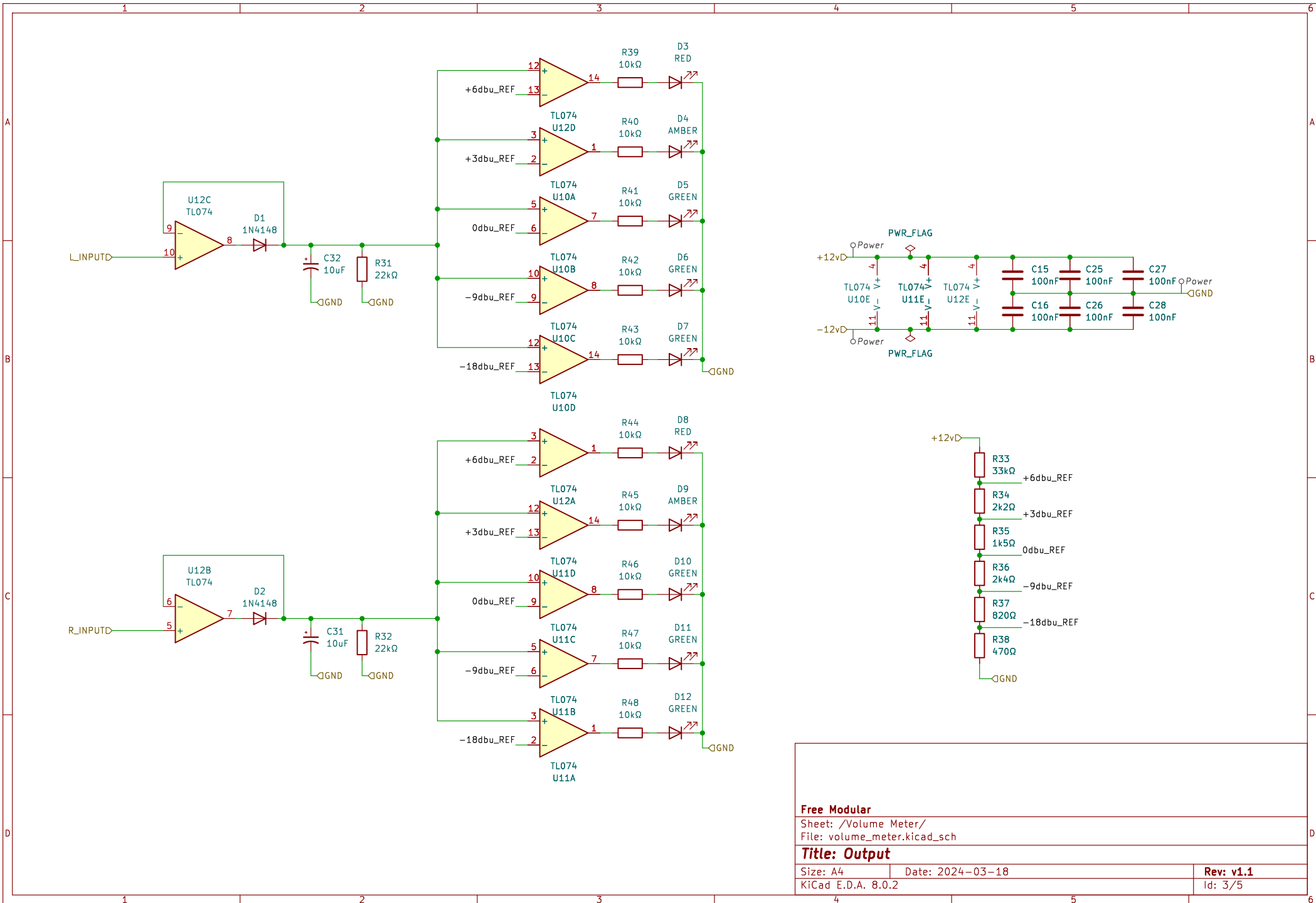
**Free Modular**

Sheet: /Headphone Amp/  
File: hp\_amp.kicad\_sch

**Title: Output**

Size: A4 Date: 2024-03-18  
KiCad E.D.A. 8.0.2

Rev: v1.1  
Id: 2/5



**Free Modular**

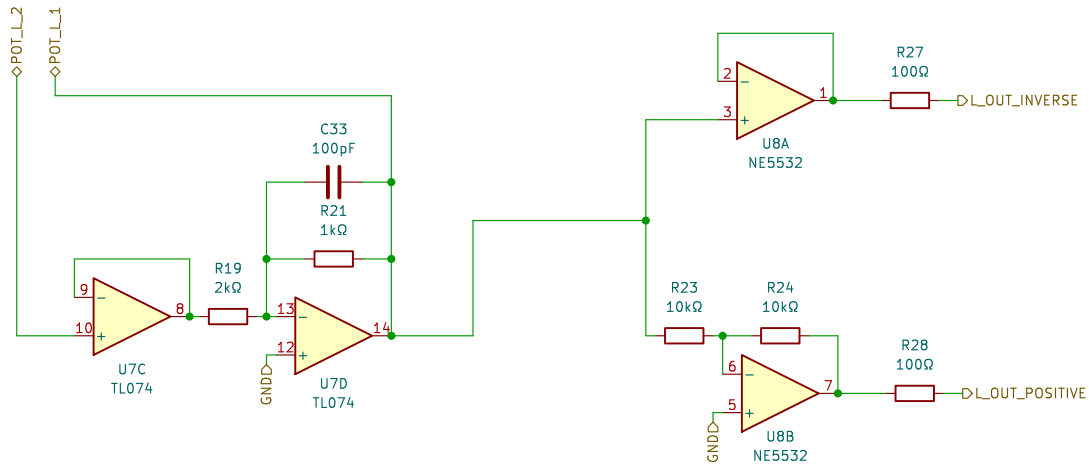
Sheet: /Volume Meter/  
 File: volume\_meter.kicad\_sch

**Title: Output**

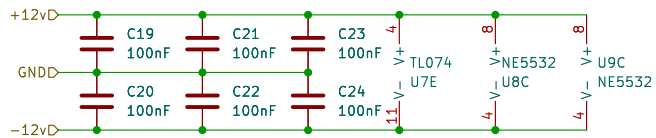
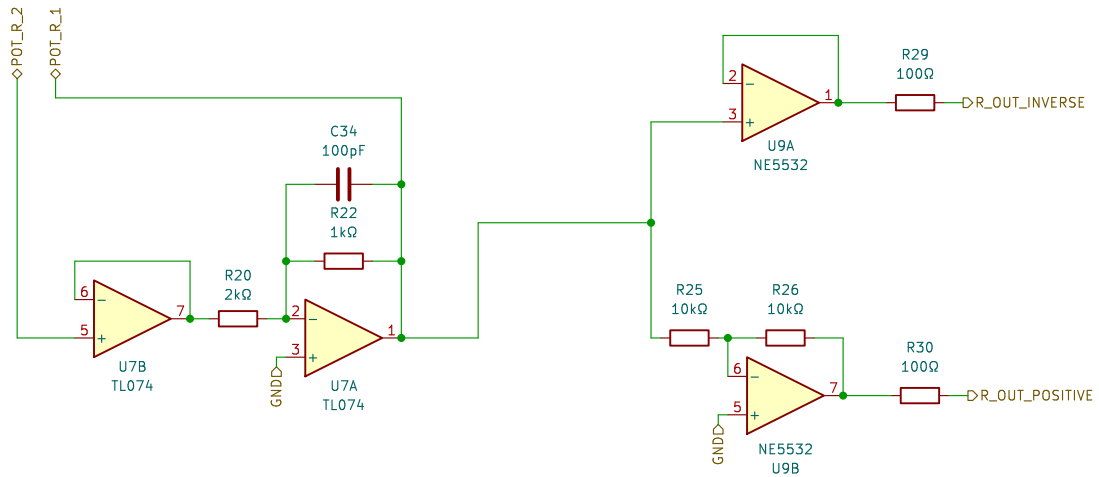
Size: A4      Date: 2024-03-18  
 KiCad E.D.A. 8.0.2

**Rev: v1.1**  
 Id: 3/5

POT\_L3 should be connected to L input



POT\_R3 should be connected to R input



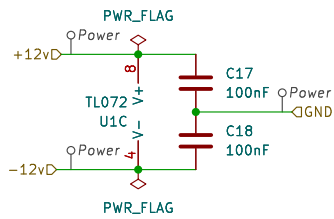
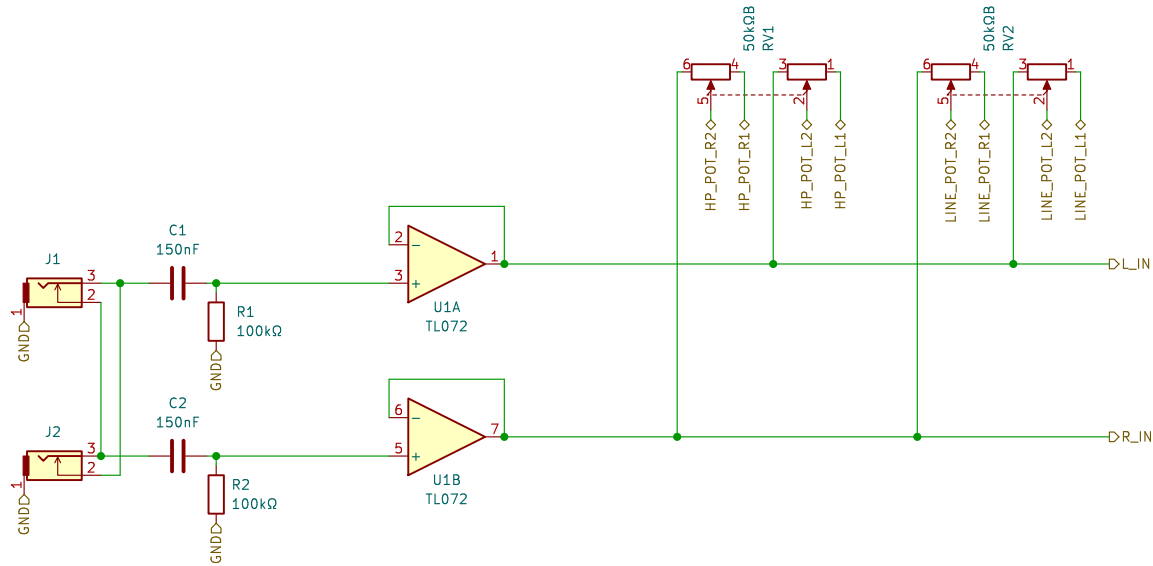
**Free Modular**

Sheet: /Line Level Amp/  
File: line\_amp.kicad\_sch

**Title: Output**

Size: A4 Date: 2024-03-18  
KiCad E.D.A. 8.0.2

Rev: v1.1  
Id: 4/5



**Free Modular**

Sheet: /IO Board/  
File: io\_board.kicad\_sch

**Title: Output**

Size: A4 | Date: 2024-03-18  
KiCad E.D.A. 8.0.2

**Rev: v1.1**  
Id: 5/5