

**Free Modular**

Sheet: /  
File: offset\_atten\_pcb.kicad\_sch

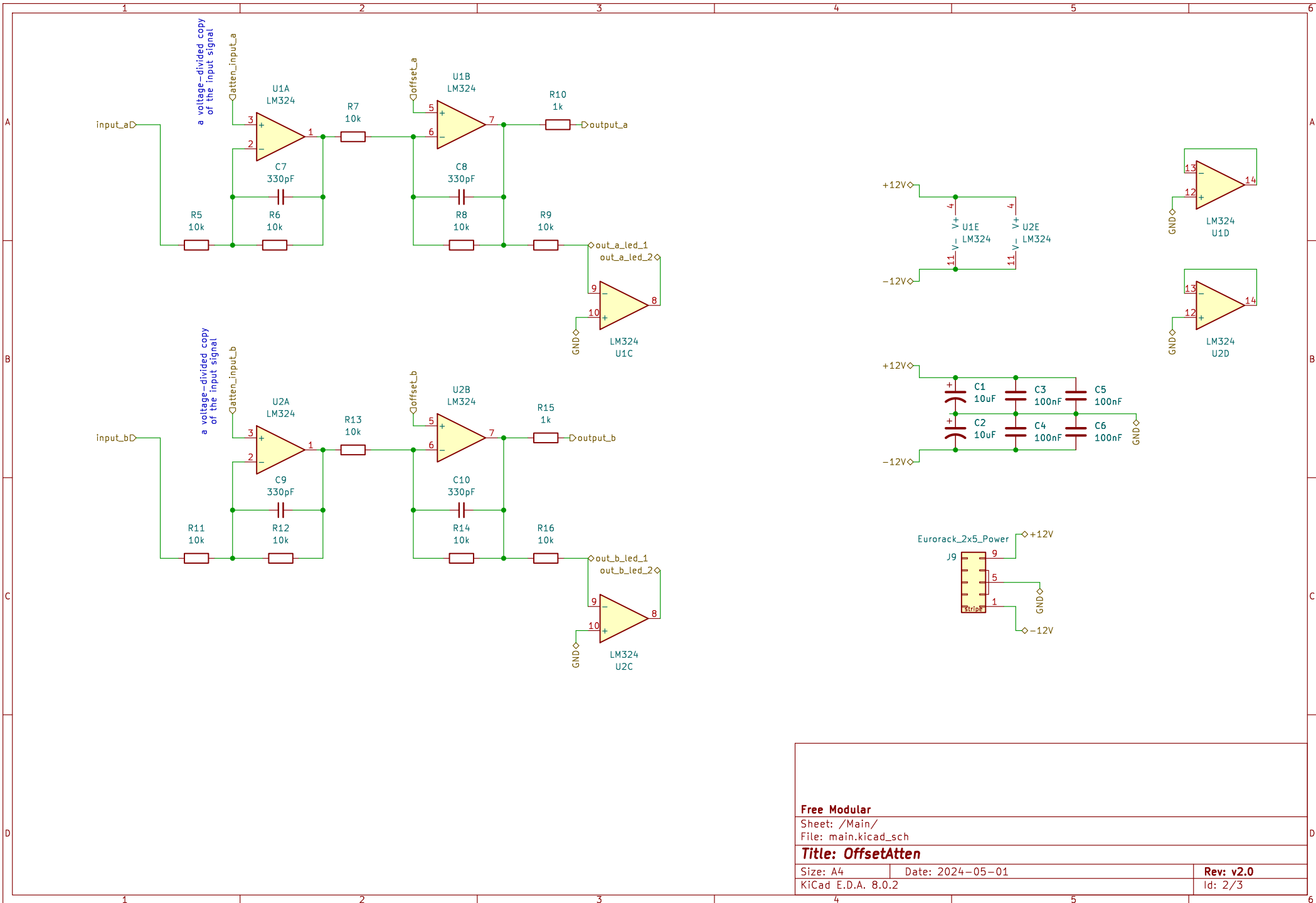
**Title: OffsetAtten**

Size: A4 Date: 2024-05-01

KiCad E.D.A. 8.0.2

Rev: v2.0

Id: 1/3



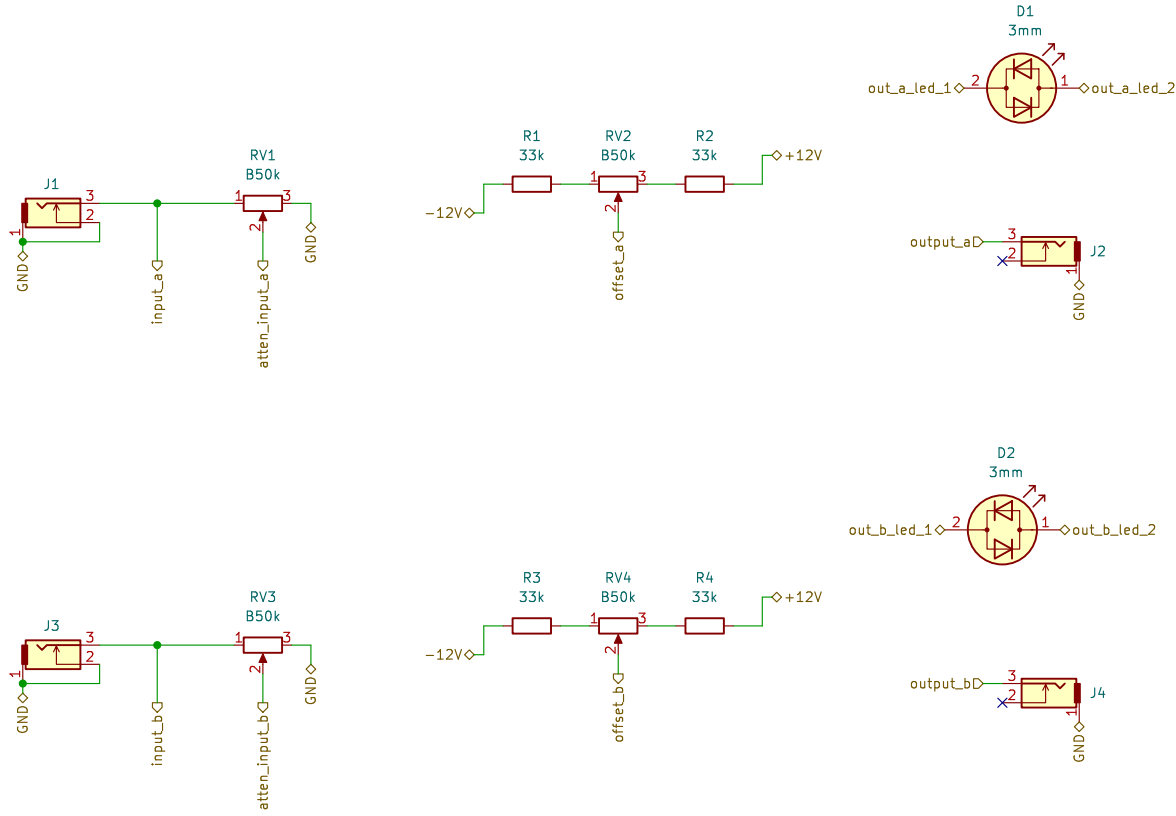
**Free Modular**

Sheet: /Main/  
File: main.kicad\_sch

**Title: OffsetAtten**

Size: A4 | Date: 2024-05-01  
KiCad E.D.A. 8.0.2

Rev: v2.0  
Id: 2/3



**Free Modular**

Sheet: /Interface/  
File: interface.kicad\_sch

**Title: OffsetAtten**

Size: A4 Date: 2024-05-01  
KiCad E.D.A. 8.0.2

Rev: v2.0  
Id: 3/3