

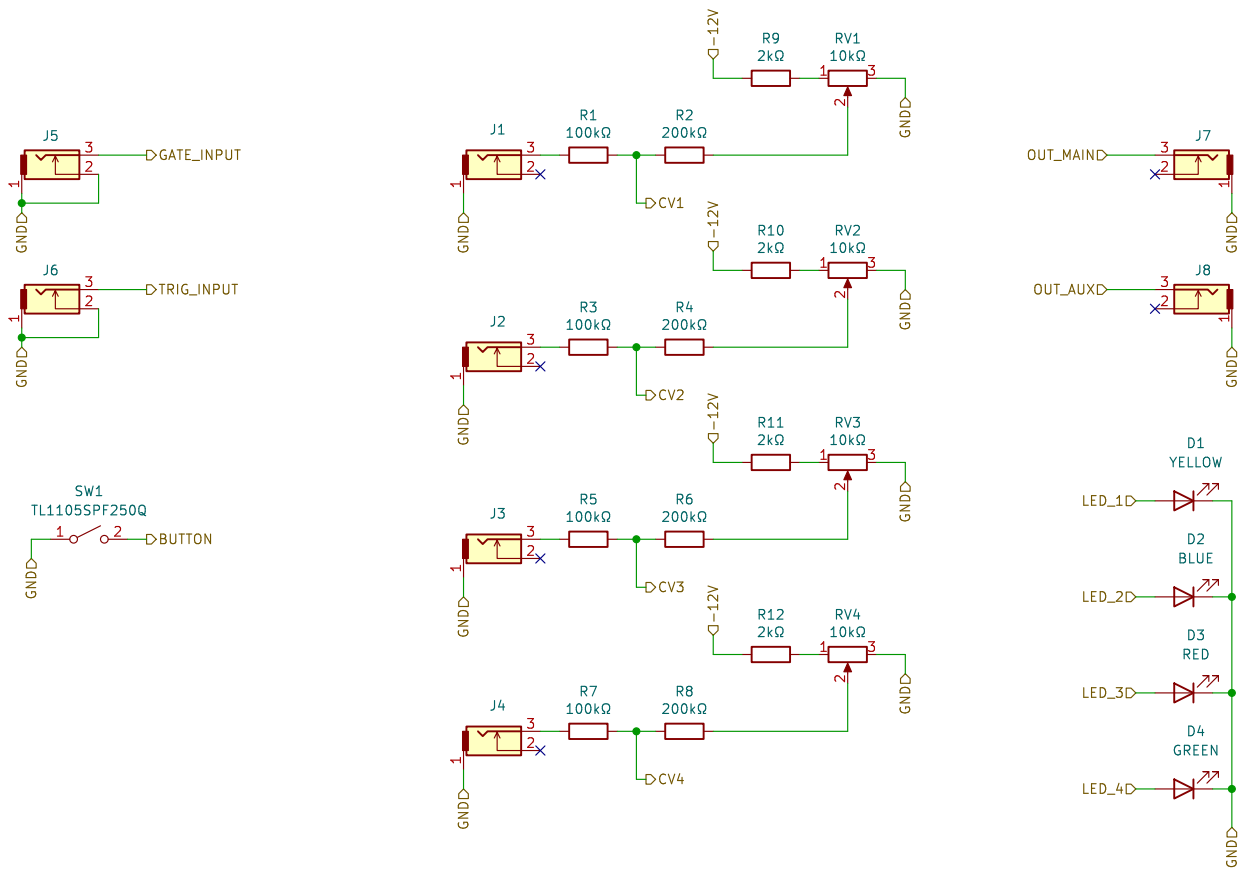
Free Modular

Sheet: /
File: envelope_pcb.kicad_sch

Title: Envelope

Size: A4 Date: 2024-05-16
KiCad E.D.A. 8.0.4

Rev: v2.0
Id: 1/3

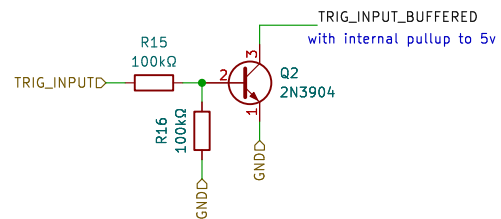
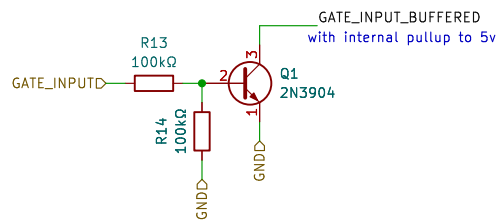
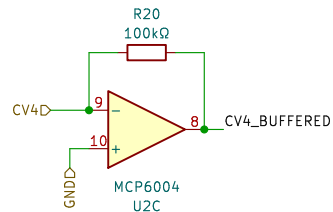
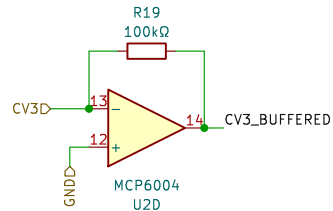
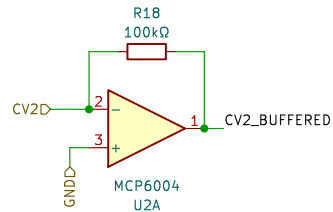
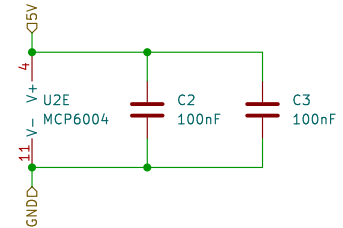
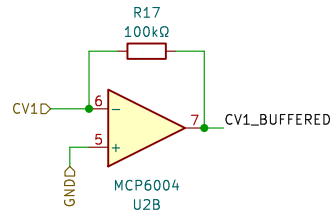
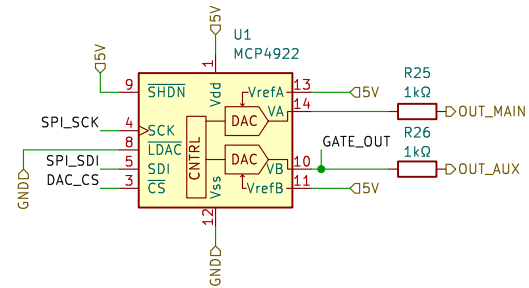
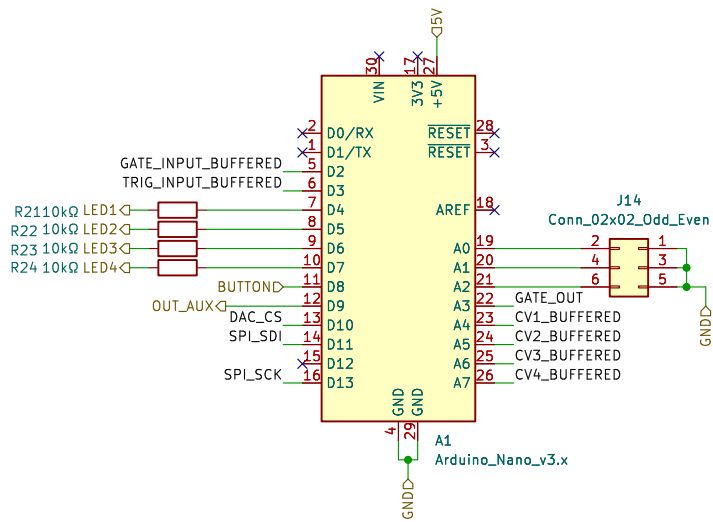


Free Modular

Sheet: /interface/
File: interface.kicad_sch

Title: Envelope

Size: A4	Date: 2024-05-16	Rev: v2.0
KiCad E.D.A. 8.0.4		Id: 2/3



Free Modular

Sheet: /Main/
File: main.kicad_sch

Title: Envelope

Size: A4 Date: 2024-05-16
KiCad E.D.A. 8.0.4

Rev: v2.0
Id: 3/3