



-  H1
M2 Mounting Hole
-  H2
M2 Mounting Hole

Free Modular

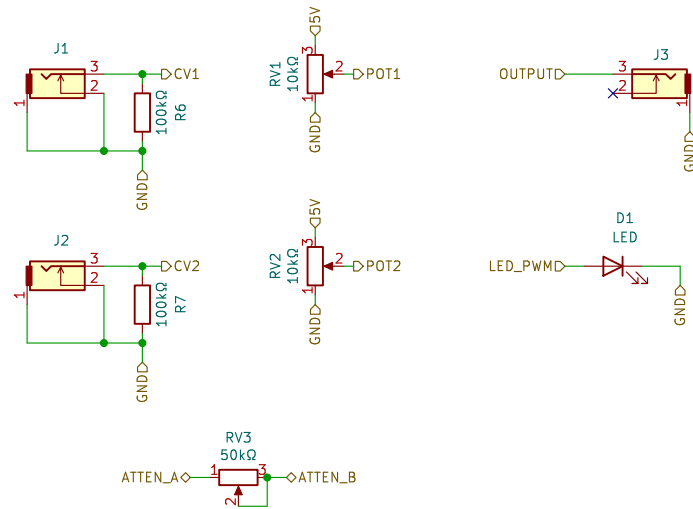
Sheet: /
File: drift_pcb.kicad_sch

Title: Drift

Size: A4
KiCad E.D.A. 8.0.4

Date: 2024-08-13

Rev: v1.0
Id: 1/3



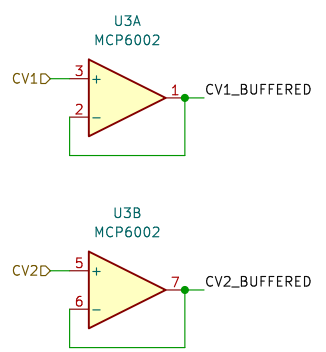
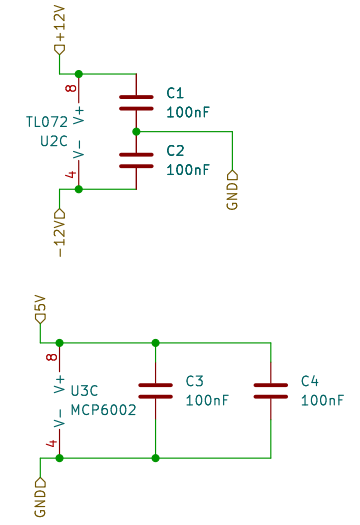
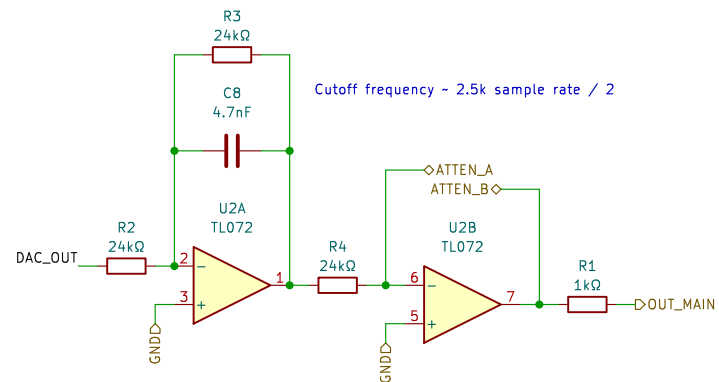
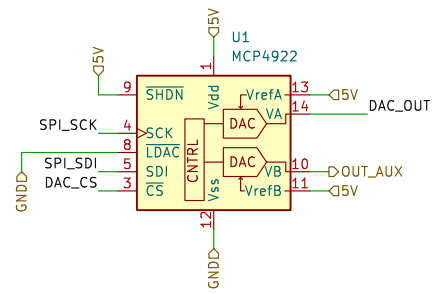
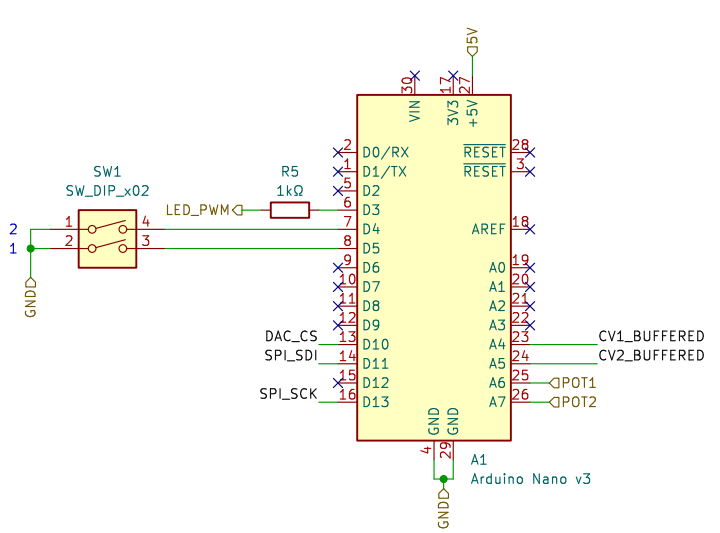
Free Modular

Sheet: /Interface/
File: interface.kicad_sch

Title: Drift

Size: A4 Date: 2024-08-13
KiCad E.D.A. 8.0.4

Rev: v1.0
Id: 2/3



Free Modular		
Sheet: /Main/		
File: main.kicad_sch		
Title: Drift		
Size: A4	Date: 2024-08-13	Rev: v1.0
KiCad E.D.A. 8.0.4		Id: 3/3